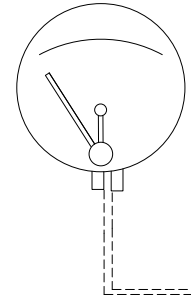
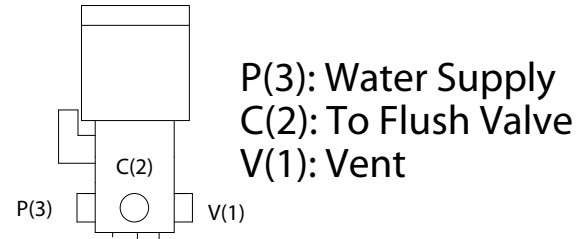
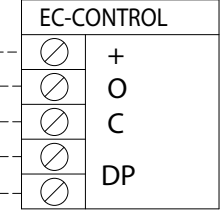


REVISIONS			
ZONE	REV	DESCRIPTION	DATE APPROVED

**GB5-B ELECTRONIC CONTROLLER**



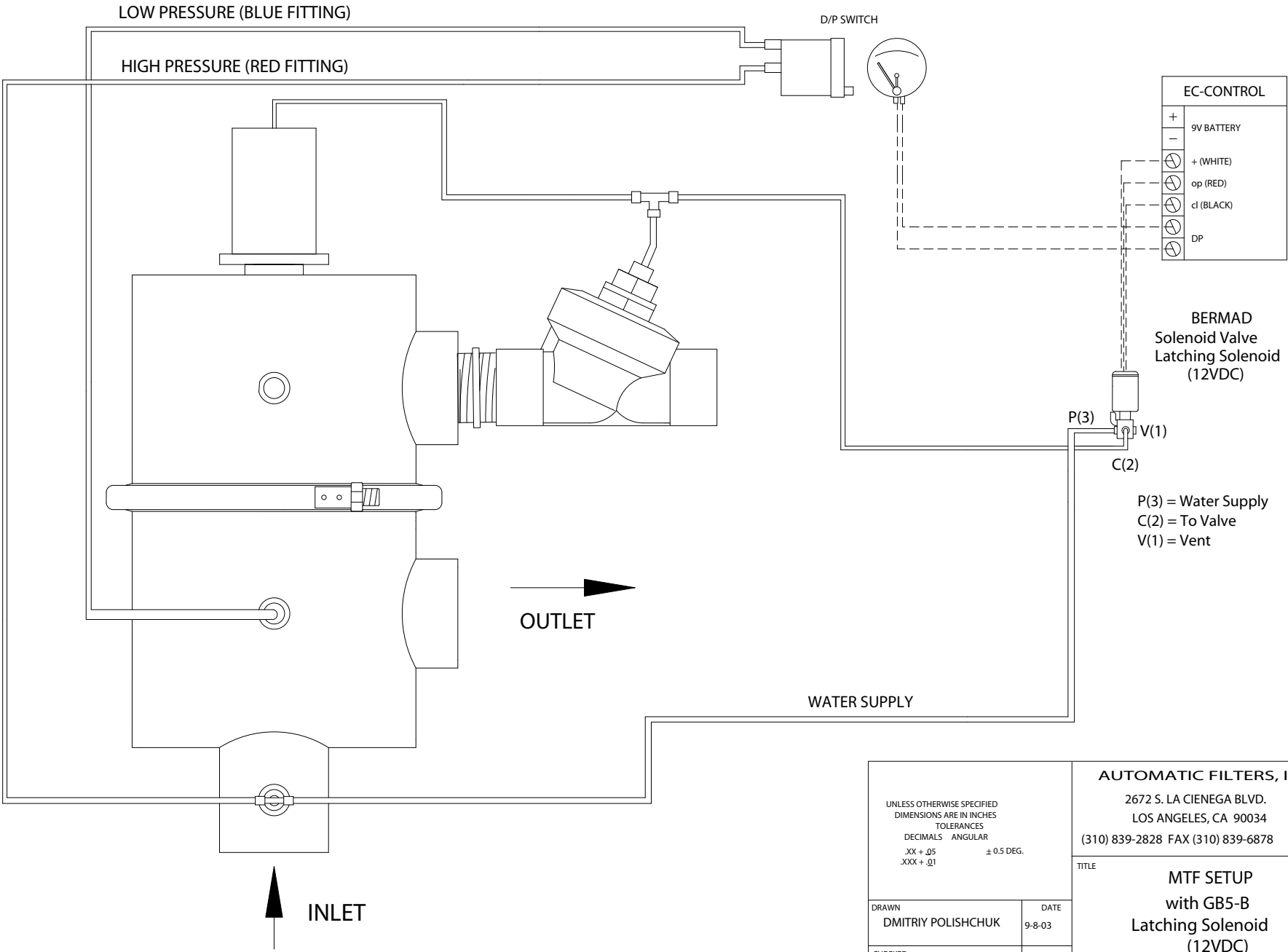
Differential Pressure Controller



**C: Black Wire**  
**O: Red Wire**  
**+: White Wire**

<small>UNLESS OTHERWISE SPECIFIED DIMENSIONS ARE IN INCHES TOLERANCES DECIMALS ANGULAR .XX + .05 ± 0.5 DEG. .XXX + .01</small>		<b>AUTOMATIC FILTERS, INC.</b> 2672 S. La Cienega Blvd. Los Angeles, CA 90034 (310) 839-2828 FAX (310) 839-6878	
		TITLE GB5 - B ELECTRIC CONTROLLER (BERMAD)	
DRAWN DMITRIY POLISHCHUK	DATE 9-29-03	SIZE A	DWG NO. GB5 - B
CHECKED DESIGN	REV 0	SHEET OF	

REVISIONS				
ZONE	REV	DESCRIPTION	DATE	APPROVED



UNLESS OTHERWISE SPECIFIED  
DIMENSIONS ARE IN INCHES

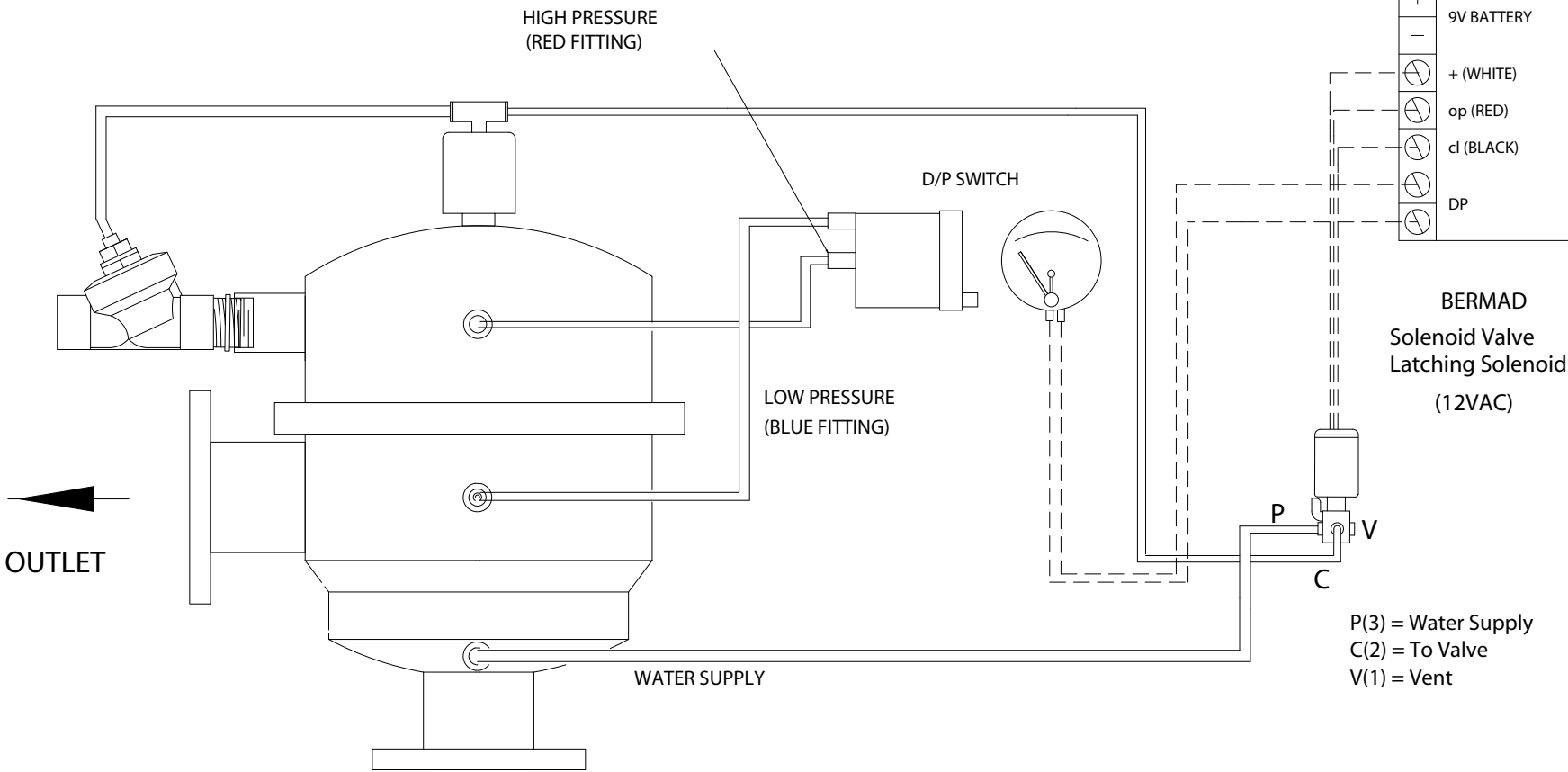
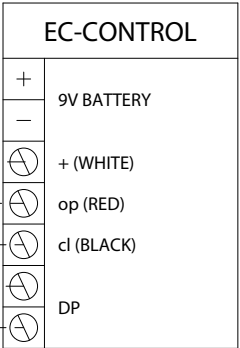
TOLERANCES

DECIMALS	ANGULAR
.XX + .05	± 0.5 DEG.
.XXX + .01	

DRAWN	DATE
DMITRIY POLISHCHUK	9-8-03
CHECKED	
DESIGN	

<b>AUTOMATIC FILTERS, INC.</b>		
2672 S. LA CIENEGA BLVD. LOS ANGELES, CA 90034 (310) 839-2828 FAX (310) 839-6878		
TITLE		
<b>MTF SETUP with GB5-B Latching Solenoid (12VDC)</b>		
SIZE	DWG NO.	REV
<b>A</b>	<b>MTF</b>	<b>0</b>
NOT SCALE		SHEET OF

REVISIONS			
ZONE REV	DESCRIPTION	DATE	APPROVED



▲  
OUTLET

▲  
INLET

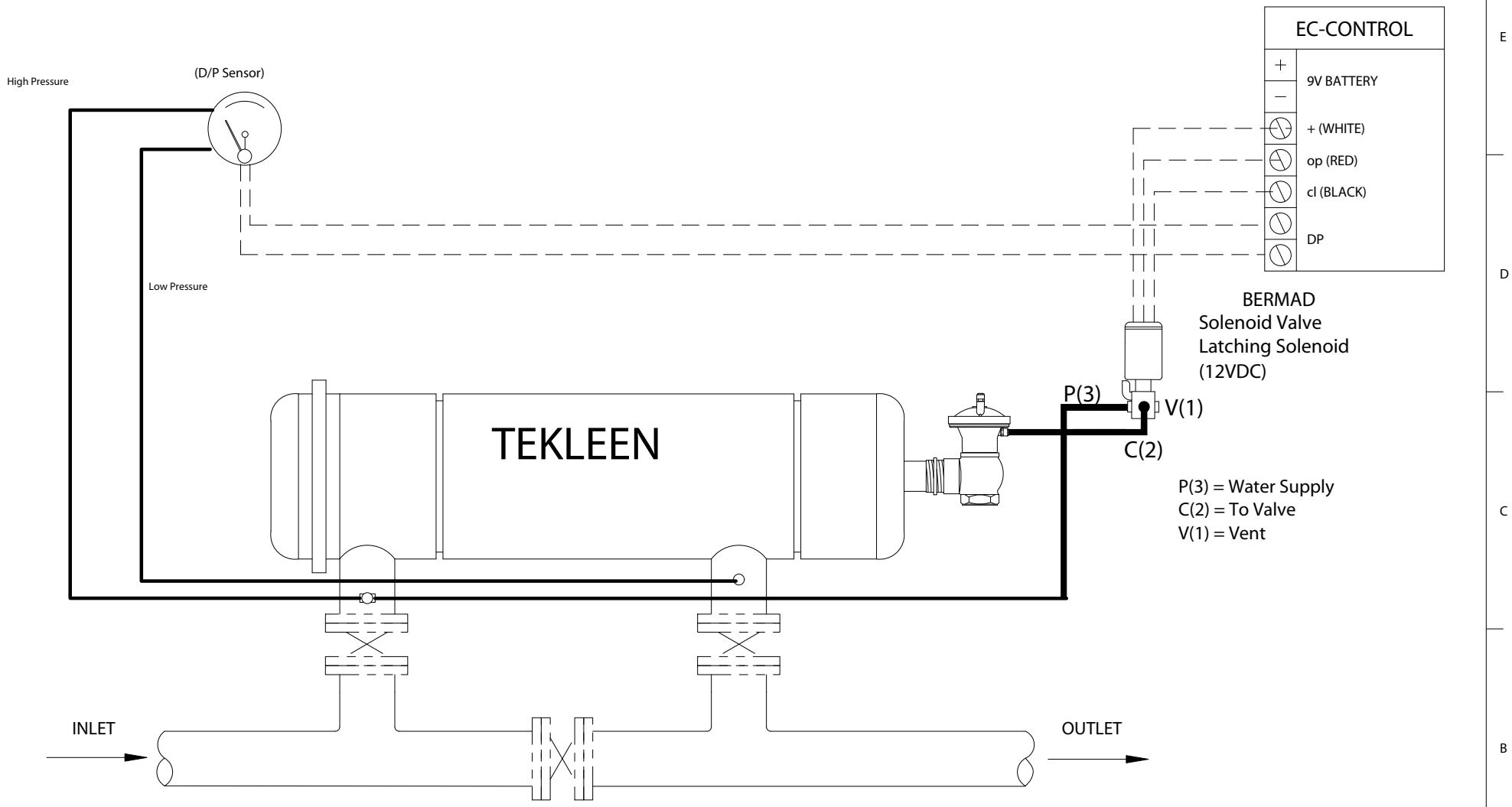
P(3) = Water Supply  
C(2) = To Valve  
V(1) = Vent

**BERMAD**  
Solenoid Valve  
Latching Solenoid  
(12VAC)

----- ELECTRIC  
———— AIR/WATER

UNLESS OTHERWISE SPECIFIED DIMENSIONS ARE IN INCHES TOLERANCES DECIMALS    ANGULAR .XX + .05       ± 0.5 DEG. .XXX + .01		<b>AUTOMATIC FILTERS, INC.</b> 2672 S. La Cienega Blvd. Los Angeles, CA 90034 (310) 839-2828 FAX (310) 839-6878		
		TITLE BELL FILTER SETUP W/ GB5 CONTROLLER Latching Solenoid (12VDC)		
DRAWN DMITRIY POLISHCHUK	DATE 9-11-03	SIZE A	DWG NO. BELL-GB5	REV 0
CHECKED	DESIGN	SHEET OF		

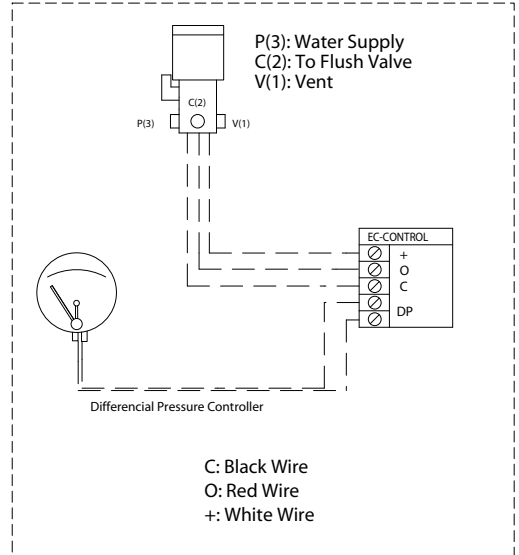
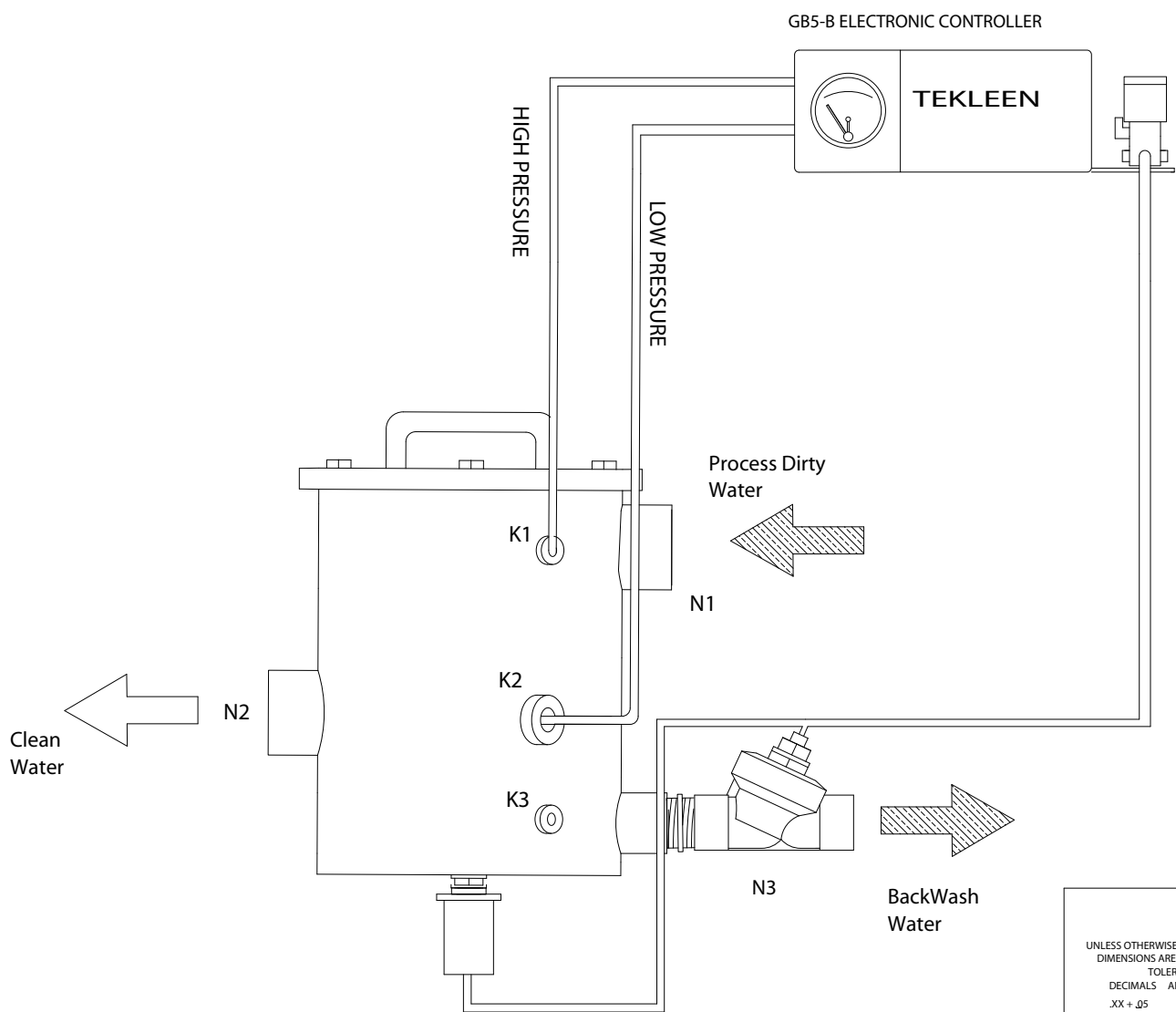
REVISIONS				
ZONE	REV	DESCRIPTION	DATE	APPROVED



EC-CONTROL	
+	9V BATTERY
-	
⊕	+ (WHITE)
⊖	op (RED)
⊘	cl (BLACK)
⊙	DP

UNLESS OTHERWISE SPECIFIED DIMENSIONS ARE IN INCHES TOLERANCES		AUTOMATIC FILTERS, INC.	
DECIMALS .XX + .05 .XXX + .01		TITLE	
ANGULAR ± 0.5 DEG.		OBF: 2P, 3P, 4P, 3i GB5-B CONTROLLER	
DRAWN	DATE	SIZE	DWG NO.
DMITRIY POLISHCHUK	9-23-03	A	OBF-GB5
CHECKED			REV
DESIGN			0
SHEET 1 OF 1			

REVISIONS			
ZONE REV	DESCRIPTION	DATE	APPROVED



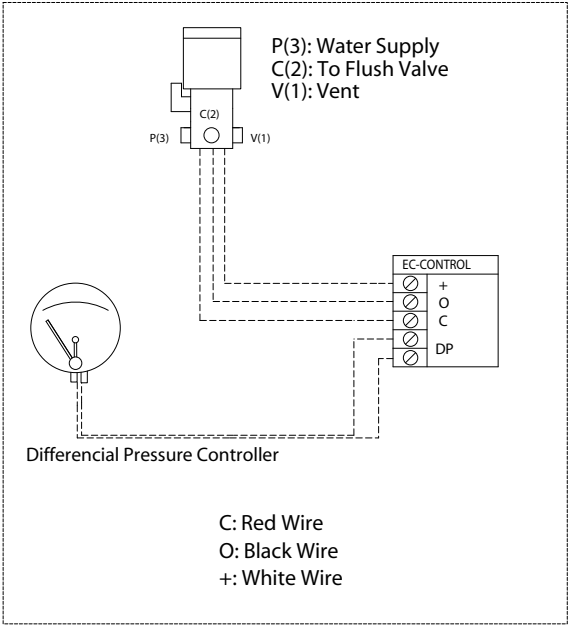
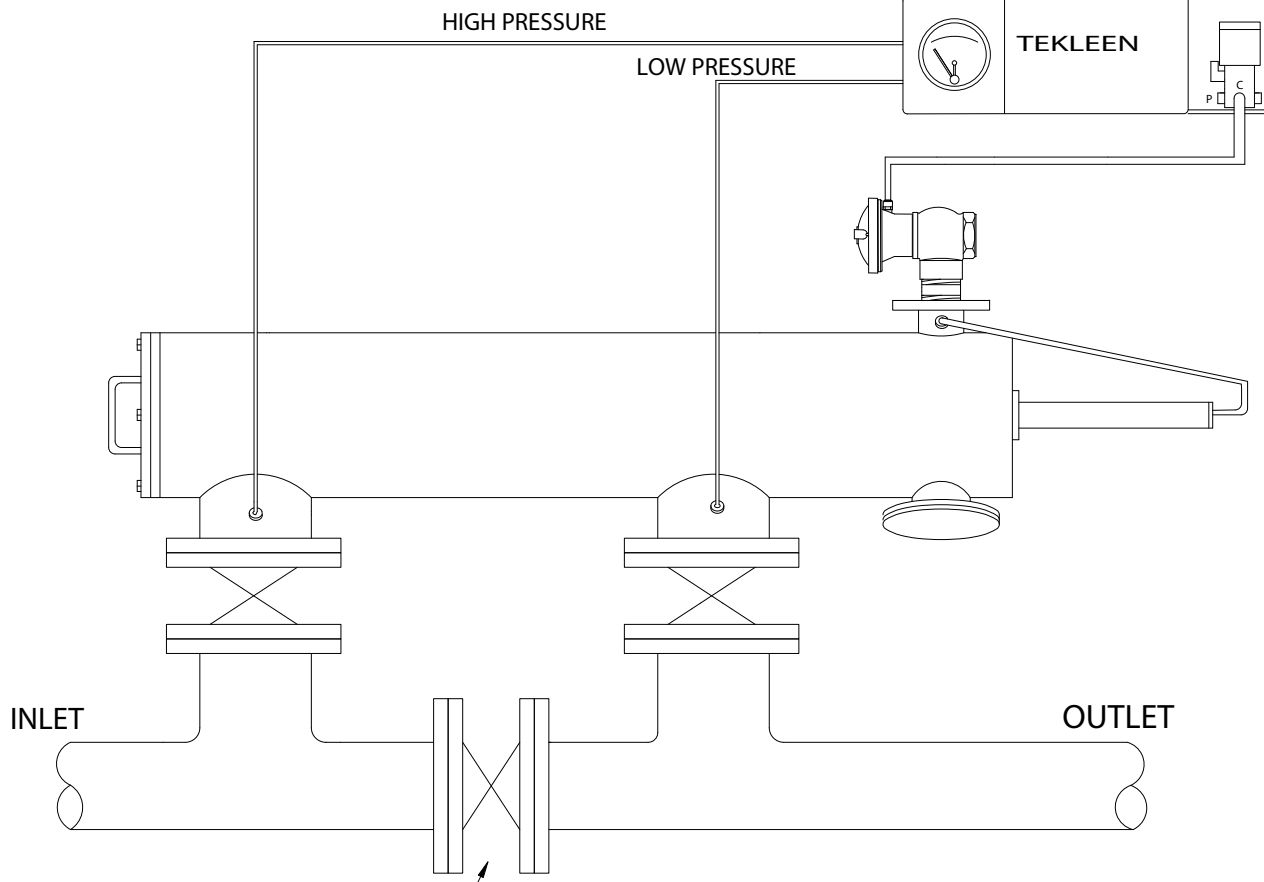
N1	INLET
N2	OUTLET
N3	FLUSH VALVE

UNLESS OTHERWISE SPECIFIED DIMENSIONS ARE IN INCHES TOLERANCES DECIMALS ANGULAR .XX + .05 ± 0.5 DEG. .XXX + .01	
DRAWN DMITRIY POLISHCHUK	DATE 9-29-03
CHECKED	
DESIGN	

<b>AUTOMATIC FILTERS, INC.</b> 2672 S. La Cienega Blvd. Los Angeles, CA 90034 (310) 839-2828 FAX (310) 839-6878		
TITLE <b>ABW-2LP w/GB-5B</b>		
SIZE <b>A</b>	DWG NO. <b>ABW2-LP GB-5B</b>	REV <b>0</b>
SHEET OF		

REVISIONS			
ZONE REV	DESCRIPTION	DATE	APPROVED

GB5-B ELECTRONIC CONTROLLER



BY-PASS VALVE

UNLESS OTHERWISE SPECIFIED DIMENSIONS ARE IN INCHES TOLERANCES DECIMALS ANGULAR .XX + .05 ± 0.5 DEG. .XXX + .01		<b>AUTOMATIC FILTERS, INC.</b> 2672 S. LA CIENEGA BLVD. LOS ANGELES, CA 90034 (310) 839-2828 FAX (310) 839-6878		
		TITLE <b>ABWxxP w/ GB5-B</b>		
DRAWN DMITRIY POLISHCHUK	DATE 9-29-03	SIZE <b>A</b>	DWG NO. <b>ABW-2in-gb5b</b>	REV <b>0</b>
DESIGN		SCALE 1:14		SHEET OF