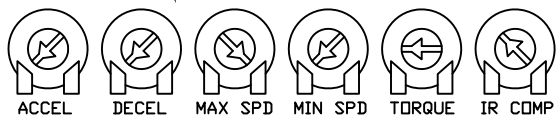
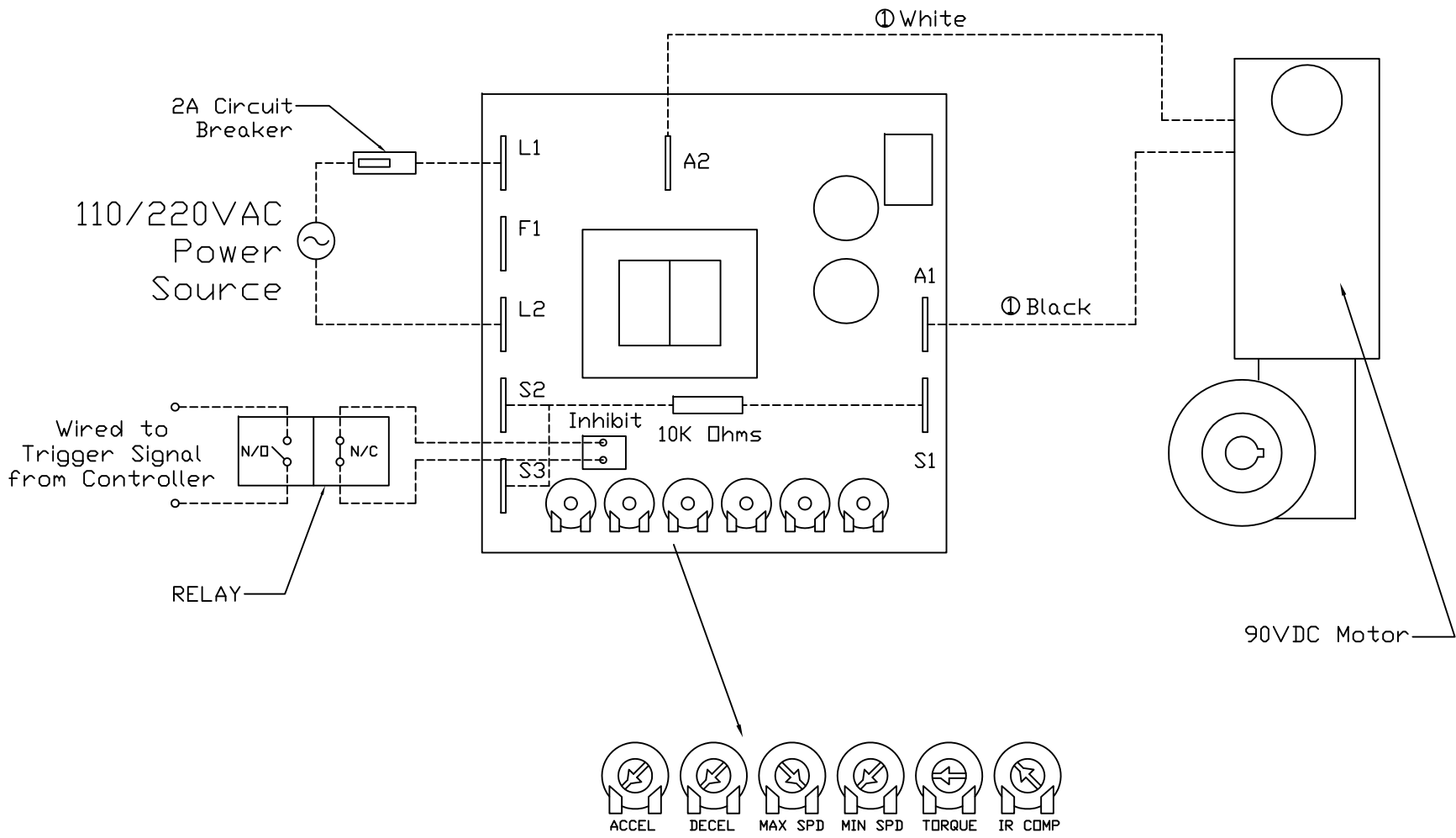


REVISIONS				
ZONE	REV	DESCRIPTION	DATE	APPROVED
5E, 6D	1	SWITCHED BLACK & WHITE WIRES OF MOTOR.	12/22/11	S.P.



Junction	○
No Junction	∩
Wire to Motor	(M)
Wire to Capacitor	(C)

UNLESS OTHERWISE SPECIFIED DIMENSIONS ARE IN INCHES TOLERANCES	
DECIMALS	ANGULAR
.XX ± .05	± 0.5 DEG.
.XXX ± .01	
DRAWN	DATE
A. HOCKETT	8-17-10
CHECKED	
DESIGN	

AUTOMATIC FILTERS, INC. 2672 S. LA CIENEGA BLVD. LOS ANGELES, CA 90034 (310) 839-2828 FAX (310) 839-6878		
TITLE Drive Board Wiring for LPFXX with 90 VDC Motor		
SIZE	DWG NO.	REV
A	WIRE-LPFG6-DRV-01	1
NOT TO SCALE		SHEET 1 OF 1

E
D
C
B
A