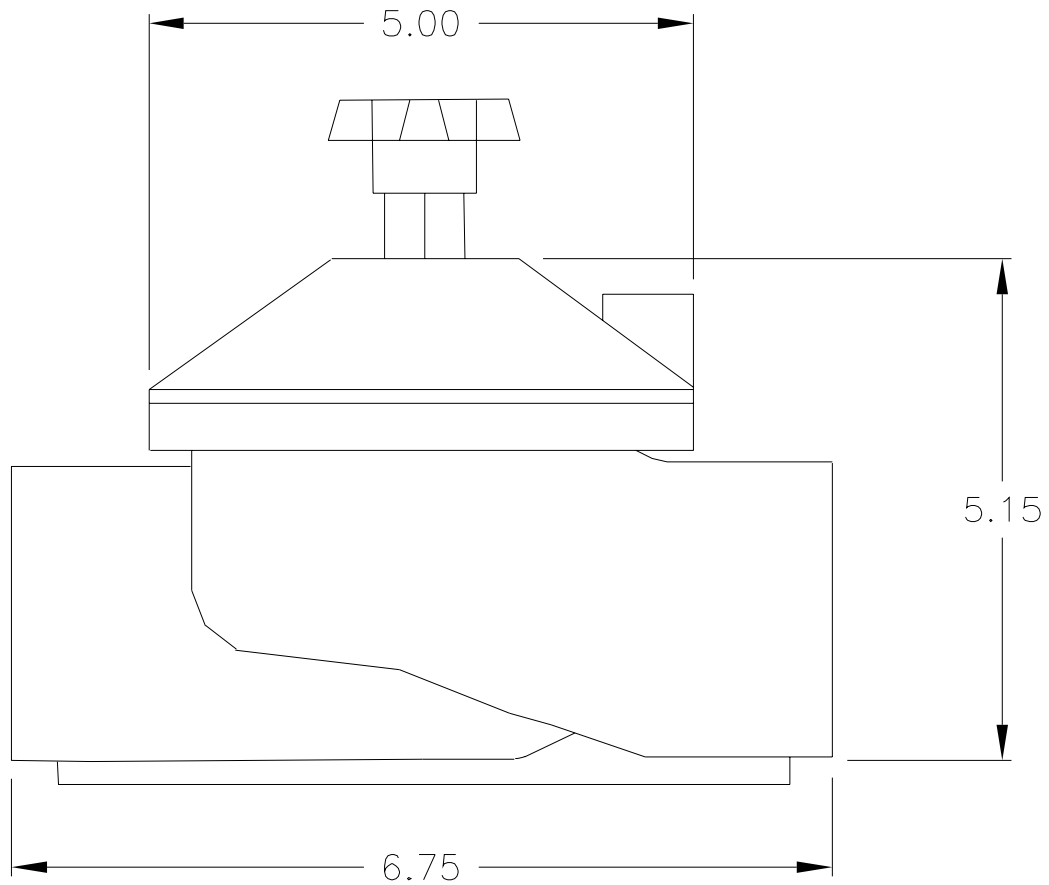


1 2 3 4 5 6 7 8

REVISIONS				
ZONE	REV	DESCRIPTION	DATE	APPROVED



E
D
C
B
A

UNLESS OTHERWISE SPECIFIED DIMENSIONS ARE IN INCHES TOLERANCES DECIMALS ANGULAR .XX ± .05 ± 0.5 DEG. .XXX ± .01	
DRAWN Jae H. Ji	DATE 5/22/02
CHECKED	
DESIGN	

AUTOMATIC FILTERS, INC.		
TITLE 2" FLUSH VALVE PLASTIC		
SIZE A	DWG NO. 2VALVE-PLASTIC	REV 0
		SHEET 1 OF 1

A